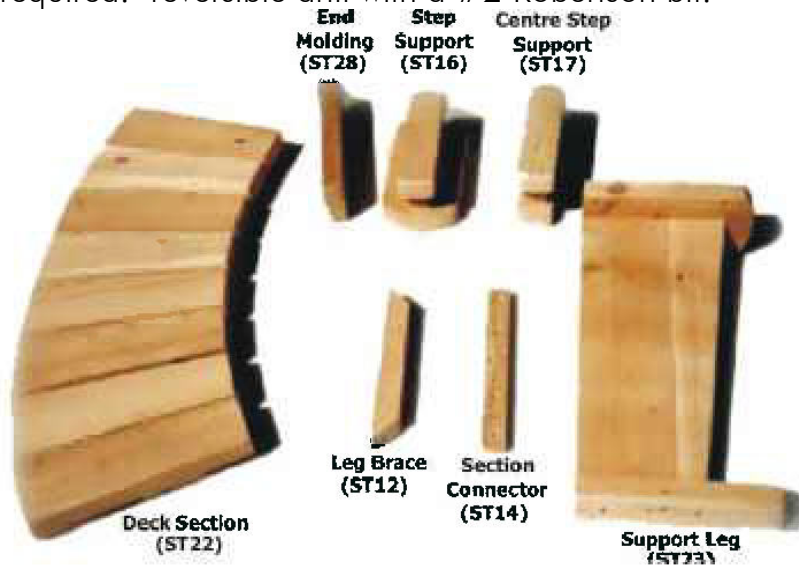


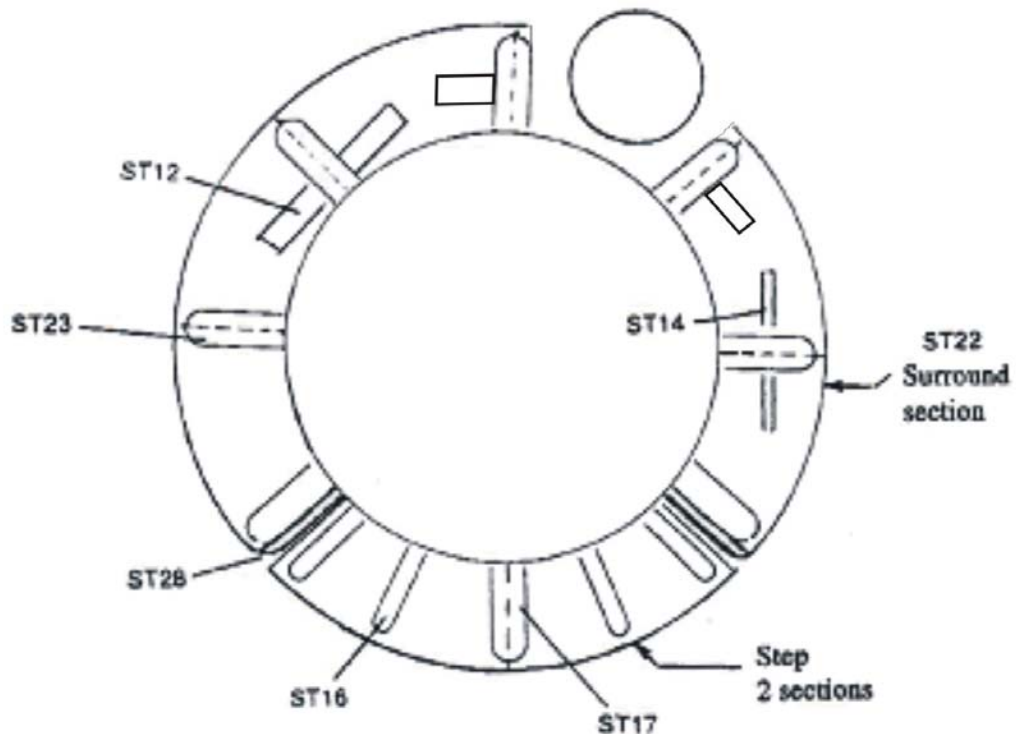
Softub Canada Wood Products Assembly Instructions

WARNING! Use 1½" Screws on Section Connectors

NOTE: Check to see if you have received all the parts on the parts checklist. Check for freight damage. Report any loss or damage caused during shipping to your carrier.
Tools required: reversible drill with a #2 Robertson bit.



**Diagram for Model 220 and 300 Full-surround
With Step Assembly**



220 AND 300 FULL SURROUND PARTS CHECKLIST

Quantity	Part #	Description
5	ST22	Standard deck sections
2	ST22a	Step sections (with extension pieces)
7	ST23	Deck support legs
6	ST14	Deck & step section connectors $\frac{3}{4}$ " x $1\frac{1}{2}$ " x 13 (use $1\frac{1}{2}$ " screws)
1	ST16	Step support w/ 2" x 3" top
4	ST17	Step Support w/ 2" x 6" top
2	ST28	Decorative end molding
10	ST12	Leg braces 2" x 3" x $11\frac{1}{2}$ " (use $1\frac{1}{2}$ " screws)
52		$2\frac{1}{2}$ " screws
56		$1\frac{1}{2}$ " screws

Find a flat, non-abrasive surface to assemble the parts. The most popular method used to assemble the surround is to put 2 deck sections together upside down, then join the pre-assembled sections together right side up to the tub.

ONE STEP PARTS CHECKLIST

Quantity	Part #	Description
2	ST22	Standard deck sections
1	ST16	Regular step supports
4	ST 17	Step support with 2" x 6" top
1	ST14	Section connector $\frac{3}{4}$ " x $1\frac{1}{2}$ " x 13
20		$2\frac{1}{2}$ " screws
6		$1\frac{1}{2}$ " screws

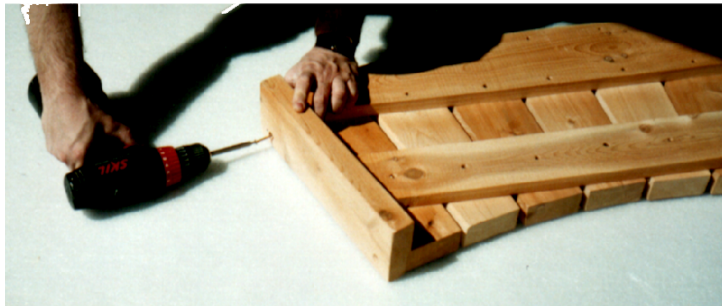
1. Position the tub where you want it, keeping in mind the position you want for the step. Find a flat, non-abrasive surface to assemble the parts.
2. Connect two-step sections (ST22) using the connector block (ST14) making sure the gap between the two sections is even front to back. The best method used to assemble the step is to put the two-step sections together upside down.



3. Install the 5 step supports (ST16) onto the underside of the step. The one step support with a 2" x 6" (ST17) is for the center. Use 2½" screws. For **Full Surround Only** – abut two-step sections with overhang section together. Ensure equal spacing between all deck board sections. Connect using section connector (ST14) and then fasten step support (ST17) to underside of step.
4. Install the deck support legs (ST23) as shown, using braces (ST12) for stability.



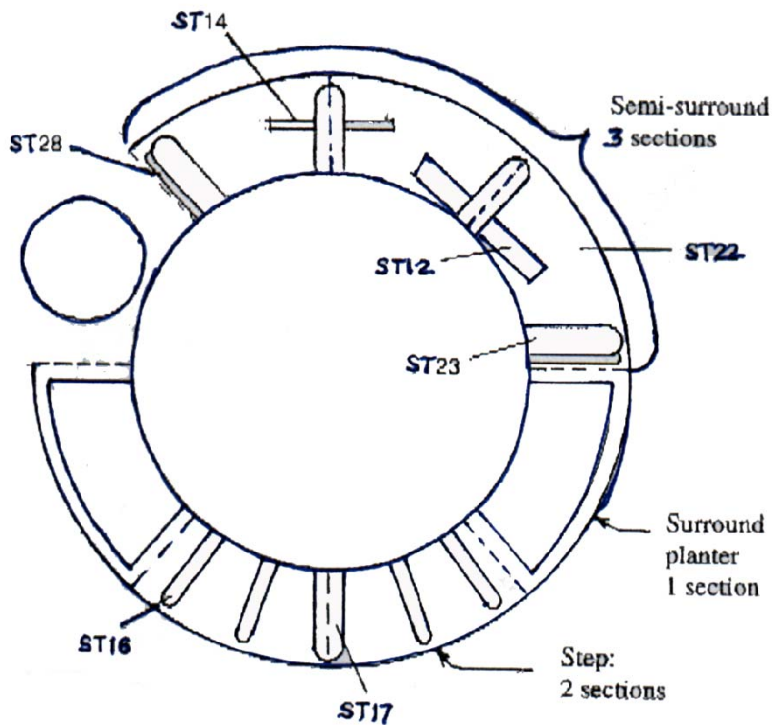
5. Install decorative end cap (ST28), as shown below, to deck sections abutting step.



6. Position the pre-assembled sections around the tub using the remaining legs for support. When the deck is in position around the tub, screw in the legs through the 2" x 6" from underneath. Add braces as needed.

ANY QUESTIONS REGARDING ASSEMBLY; PLEASE CALL 1-800-668-8827.

**DIAGRAM FOR 220 AND 300 SEMI-SURROUND
PLUS OPTIONAL STEP AND TWO SURROUND PLANTER**



220 AND 300 SEMI-SURROUND PARTS CHECKLIST

Quantity	Part #	Description
3	ST22	Standard deck sections
4	ST23	Deck support Legs
2	ST14	Deck section connector $\frac{3}{4}$ " x $1\frac{1}{2}$ " x 13" (use $1\frac{1}{2}$ " screws only)
6	ST12	Leg braces 2" x 3" x $11\frac{1}{2}$ " (use $1\frac{1}{2}$ " screws only)
2	ST28	End moldings
24	ST28	$1\frac{1}{2}$ " screws
20	ST10	$2\frac{1}{2}$ " Screws

1. Find a flat, non-abrasive surface to assemble the parts. The most popular method used to assemble the surround is to put two deck sections together upside down, then join the pre-assembled sections together right side up to the tub. Position the tub where you want it, keeping in mind the position you want for the step.
2. Connect three sections (ST22) using the connector blocks (ST14). Use $1\frac{1}{2}$ " screws. Ensure the gap between each section is even front to back.
3. Install the deck support legs (ST23) over section joints as shown, using braces (ST12) for stability. Use $2\frac{1}{2}$ " screws through predrilled holes.



4. Install the five step supports (4 - ST16 and 1 - ST17) onto the underside of the step. Step support with a 2" x 6" (ST17) is for the center. Use 2½" screws.



5. Install decorative end cap (ST28), as shown below to deck sections abutting step using 1½" screws.



6. Once deck and step are in place around tub, the step may be attached using screws through the back of the abutting leg support (ST23).

ANY QUESTIONS REGARDING ASSEMBLY; PLEASE CALL 1-800-668-8827.